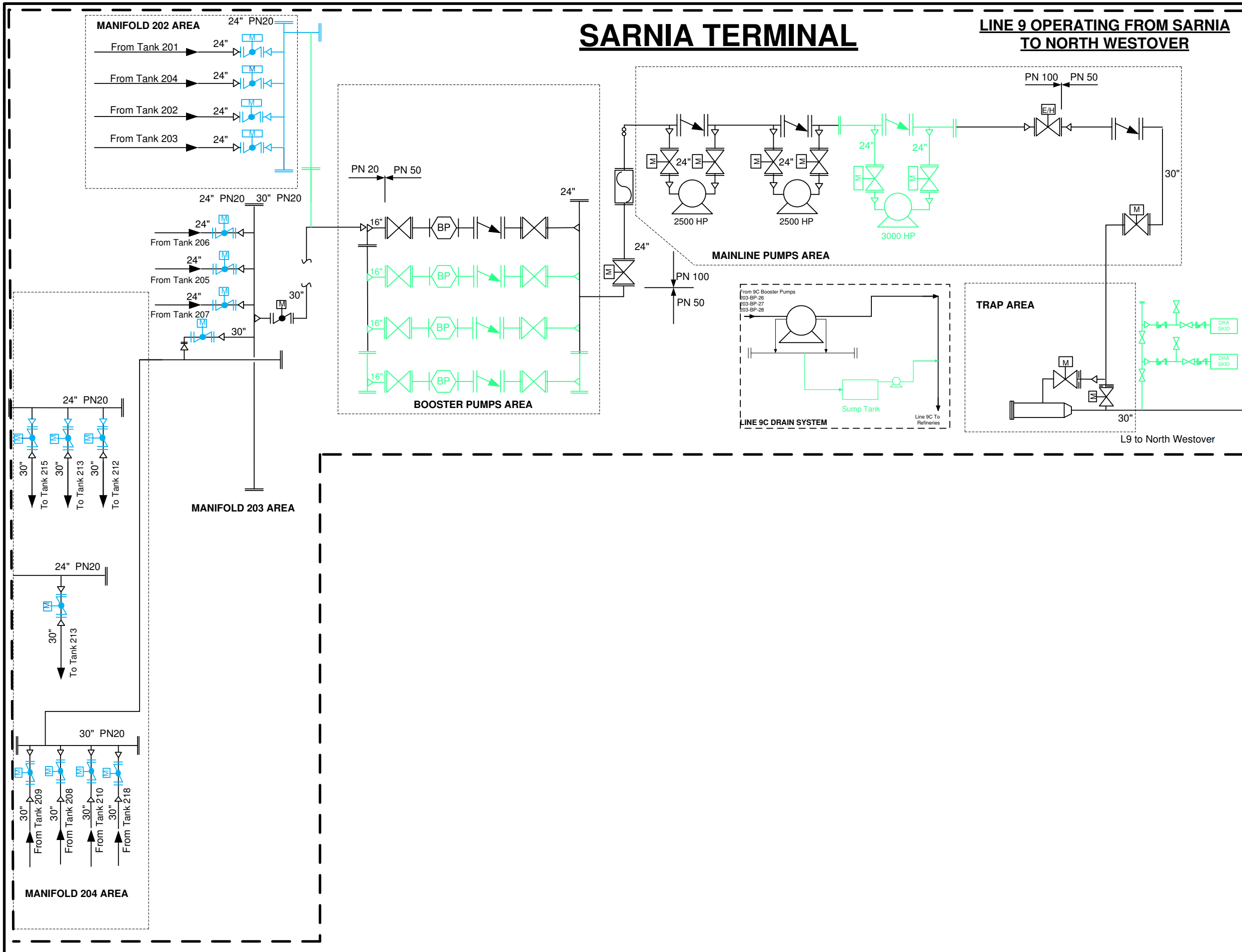


SARNIA TERMINAL

LINE 9 OPERATING FROM SARNIA TO NORTH WESTOVER



- Legend:**
- Existing
 - New Equipment
 - To be Replaced
 - - To be Removed
-
- Motor-Operated Slab Gate Valve
 - Check Valve
 - Pump
 - Inline Strainer
 - Ultrasonic Flow Meter
 - Electro-Hydraulic Operated Valve
 - Triple Offset Valve – With Actuator
 - Pressure Safety Valve
 - Spacer Ring
 - Pressure Transmitter
 - Booster Pump
 - Pig Trap
 - Triple Offset Valve – With Actuator
 - Automated Double Block and Bleed Valve
 - Manual Valve

COPYRIGHT © This drawing is the property of Enbridge and shall not be reproduced either in whole or in part without prior written consent of Enbridge

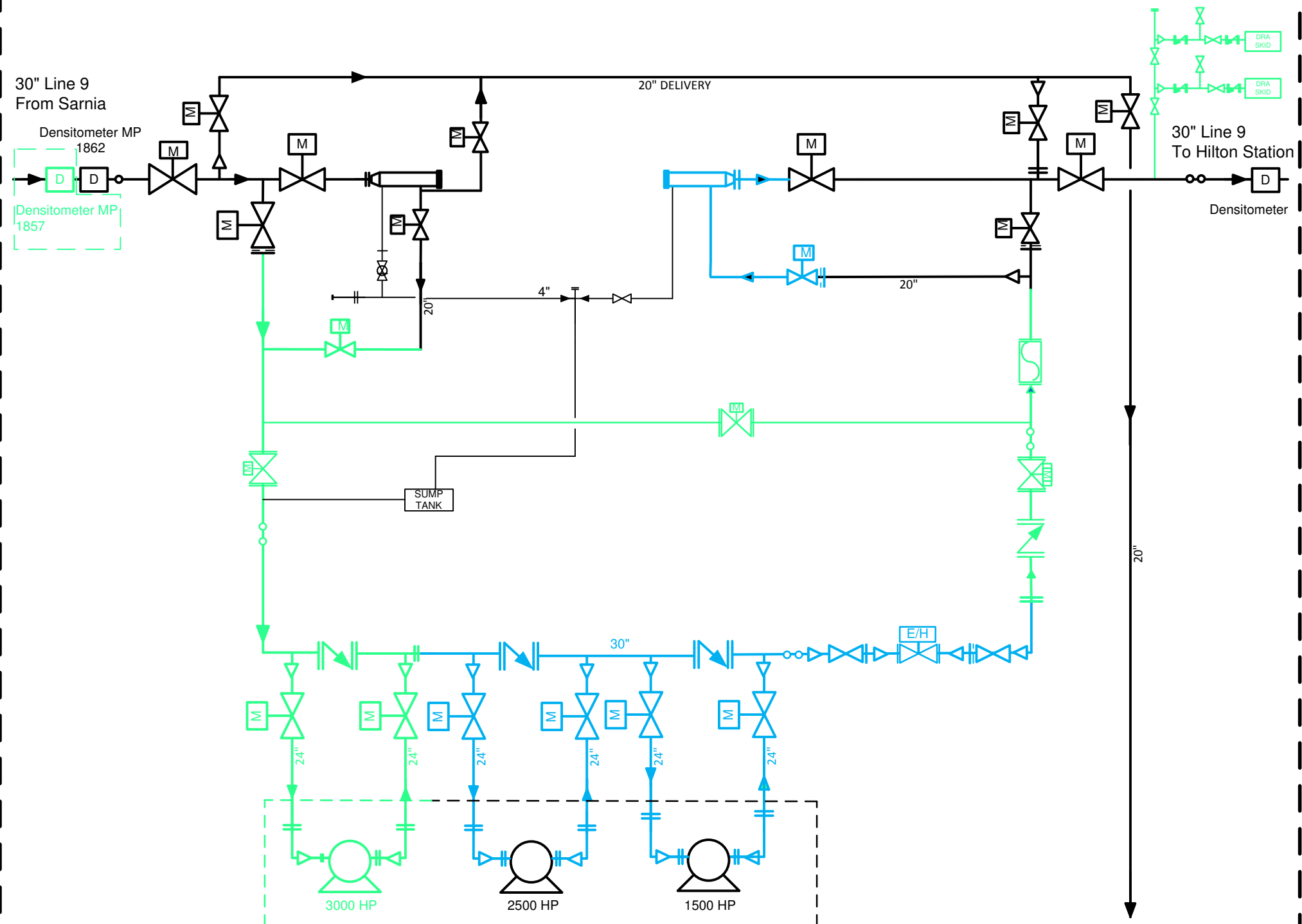
ENBRIDGE Enbridge Pipelines Inc.
10201 Jasper Avenue
Edmonton Alberta Canada

Line 9B Reversal Project - DOU
Sarnia Terminal – New Scope
Revision B

DRAWN	HL	CHECK	APPROVE
DATE	07/11/2012	SCALE	NTS

407032-00169-PM-DOU-0001-001

NORTH WESTOVER STATION



- Legend:**
- Existing
 - New Equipment
 - To be Replaced
 - - To be Removed
-
- Ball Valve
 - Manual Valve
 - Densitometer
 - Motor-Operated Slab Gate Valve
 - Check Valve
 - Pump
 - Inline Strainer
 - Ultrasonic Flow Meter
 - Electro-Hydraulic Operated Valve
 - Triple Offset Valve – With Actuator
 - Pressure Safety Valve
 - Spacer Ring
 - Pressure Transmitter
 - Booster Pump
 - Pig Trap
 - Triple Offset Valve – With Actuator
 - Automated Double Block and Bleed Valve

COPYRIGHT © This drawing is the property of Enbridge and shall not be reproduced either in whole or in part without prior written consent of Enbridge

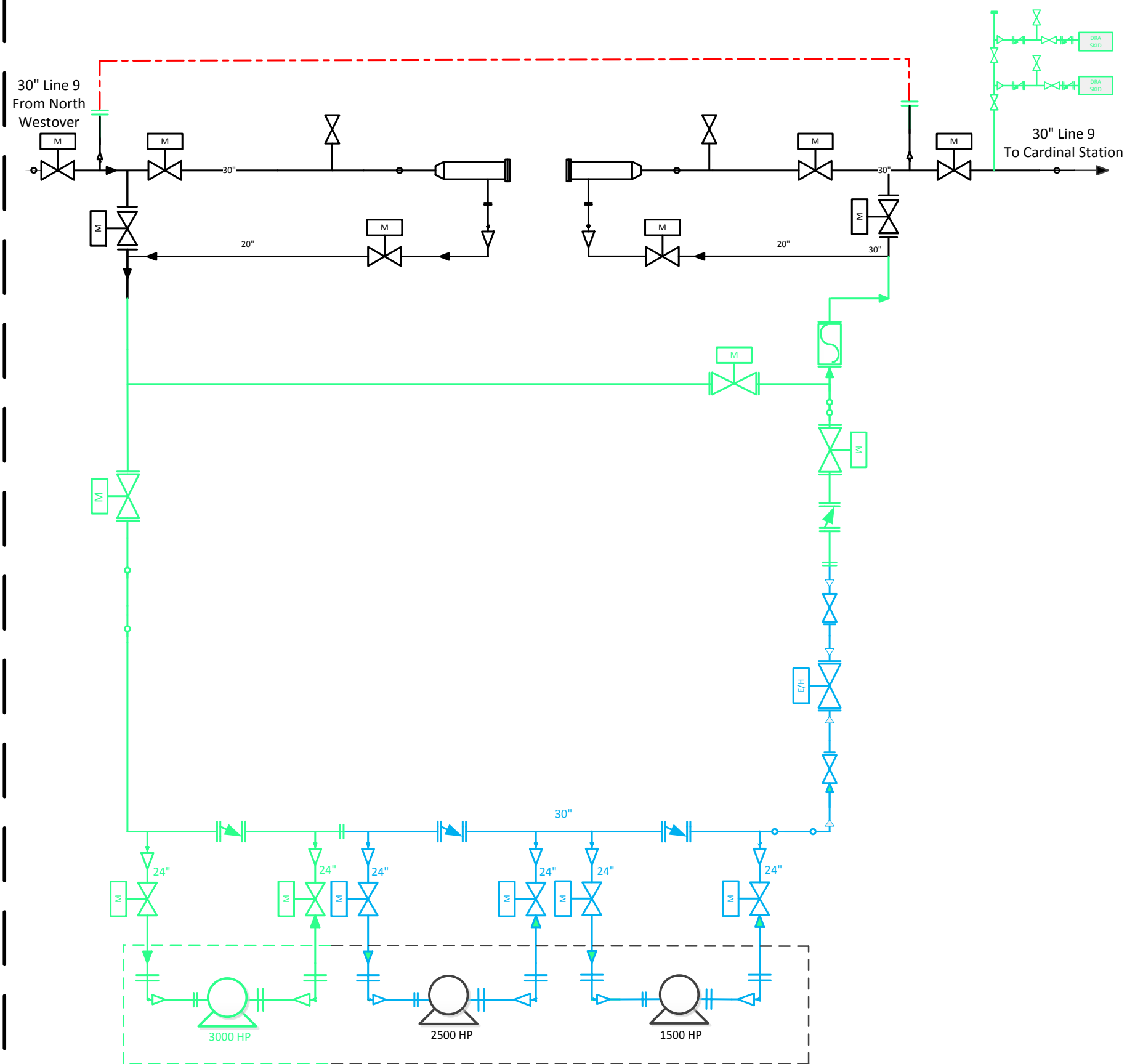
ENBRIDGE Enbridge Pipelines Inc.
10201 Jasper Avenue
Edmonton Alberta Canada

Line 9B Reversal Project - DOU
North Westover Station – New Scope
Revision B

DRAWN	HL	CHECK	APPROVE
DATE	07/11/2012	SCALE	NTS

407032-00169-PM-DOU-0002-001

HILTON STATION



- Legend:**
- Existing
 - New Equipment
 - To be Replaced
 - To be Removed
-
- Manual Valve
 - Motor-Operated Slab Gate Valve
 - Check Valve
 - Pump
 - Inline Strainer
 - Ultrasonic Flow Meter
 - Electro-Hydraulic Operated Valve
 - Triple Offset Valve – With Actuator
 - Pressure Safety Valve
 - Spacer Ring
 - Pressure Transmitter
 - Booster Pump
 - Pig Trap
 - Triple Offset Valve – With Actuator
 - Automated Double Block and Bleed Valve

COPYRIGHT © This drawing is the property of Enbridge and shall not be reproduced either in whole or in part without prior written consent of Enbridge.

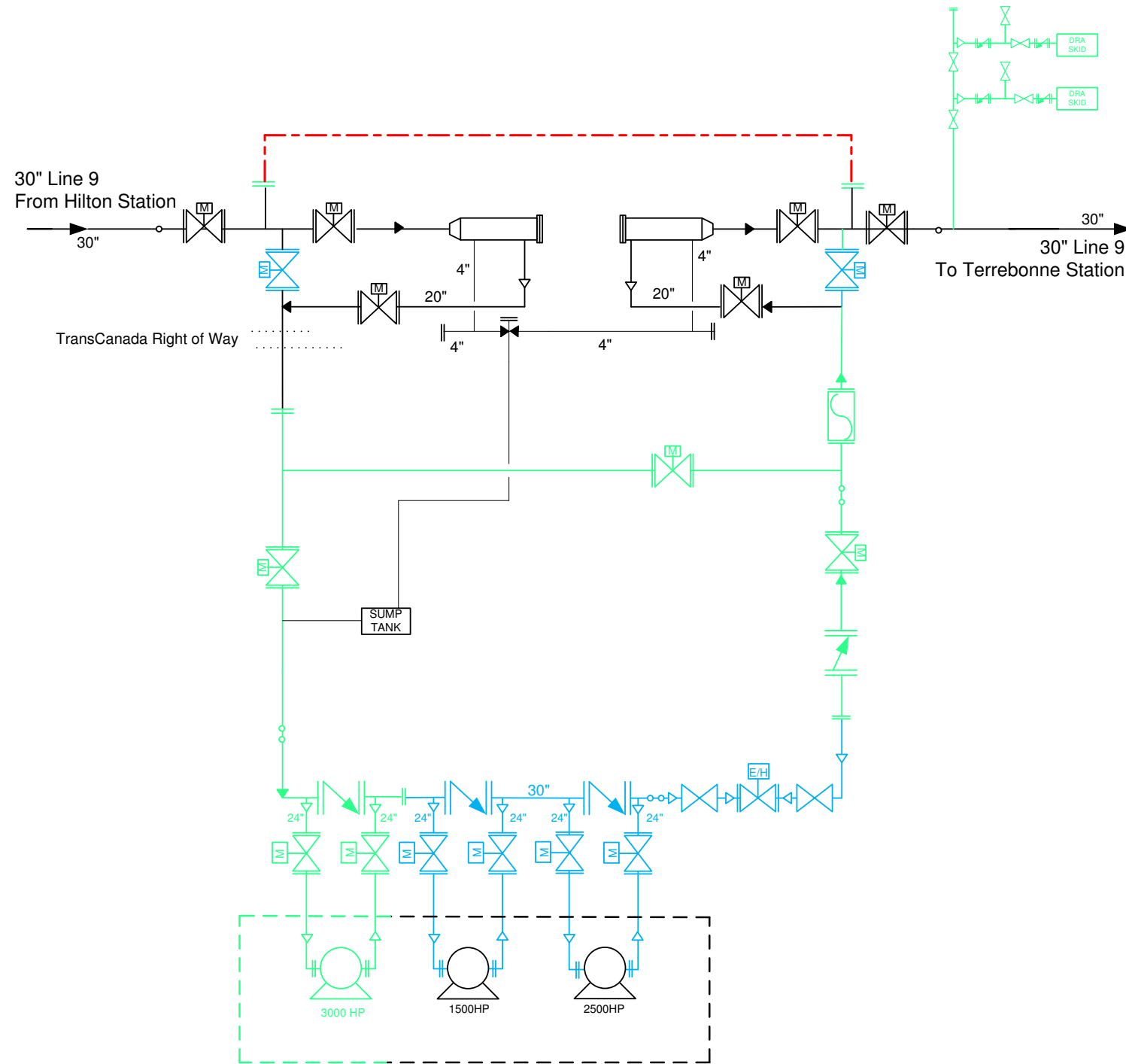
ENBRIDGE Enbridge Pipelines Inc.
10201 Jasper Avenue
Edmonton Alberta Canada

Line 9B Reversal Project - DOU
Hilton Station – New Scope
Revision B

DRAWN	HL	CHECK	APPROVE
DATE	07/11/2012	SCALE	NTS APPROVE

407032-00169-PM-DOU-0003-001

CARDINAL STATION



- Legend:**
- Existing
 - New Equipment
 - To be Replaced
 - To be Removed
-
- Manual Valve
 - Motor-Operated Slab Gate Valve
 - Check Valve
 - Pump
 - Inline Strainer
 - Ultrasonic Flow Meter
 - Electro-Hydraulic Operated Valve
 - Triple Offset Valve – With Actuator
 - Pressure Safety Valve
 - Spacer Ring
 - Pressure Transmitter
 - Booster Pump
 - Pig Trap
 - Triple Offset Valve – With Actuator
 - Automated Double Block and Bleed Valve

COPYRIGHT © This drawing is the property of Enbridge and shall not be reproduced either in whole or in part without prior written consent of Enbridge

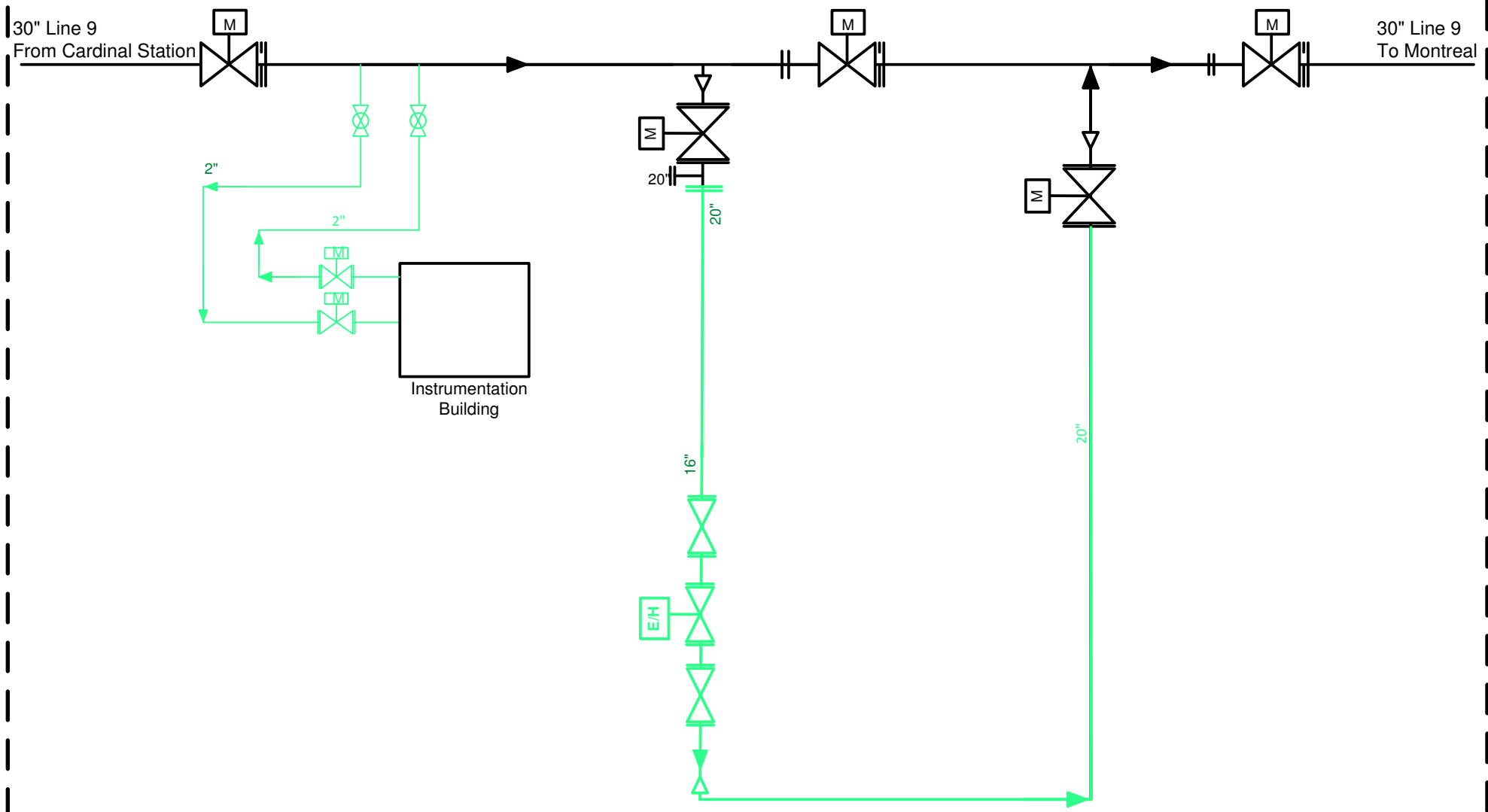
ENBRIDGE Enbridge Pipelines Inc.
10201 Jasper Avenue
Edmonton Alberta Canada

Line 9B Reversal Project - DOU
Cardinal Station – New Scope
Revision B

DRAWN	HL	CHECK	APPROVE
DATE	07/11/2012	SCALE	NTS

407032-00169-PM-DOU-0004-001

TERREBONNE STATION



- Legend:**
- Existing
 - New Equipment
 - To be Replaced
 - - - To be Removed
 - Instrumentation Building
 - Ball Valve
 - Manual Valve
 - Motor-Operated Slab Gate Valve
 - Check Valve
 - Pump
 - Inline Strainer
 - Ultrasonic Flow Meter
 - Electro-Hydraulic Operated Valve
 - Triple Offset Valve – With Actuator
 - Pressure Safety Valve
 - Spacer Ring
 - Pressure Transmitter
 - Booster Pump
 - Pig Trap
 - Triple Offset Valve – With Actuator
 - Automated Double Block and Bleed Valve

Notes:
1. Leak detection system will not function during pigging operations.

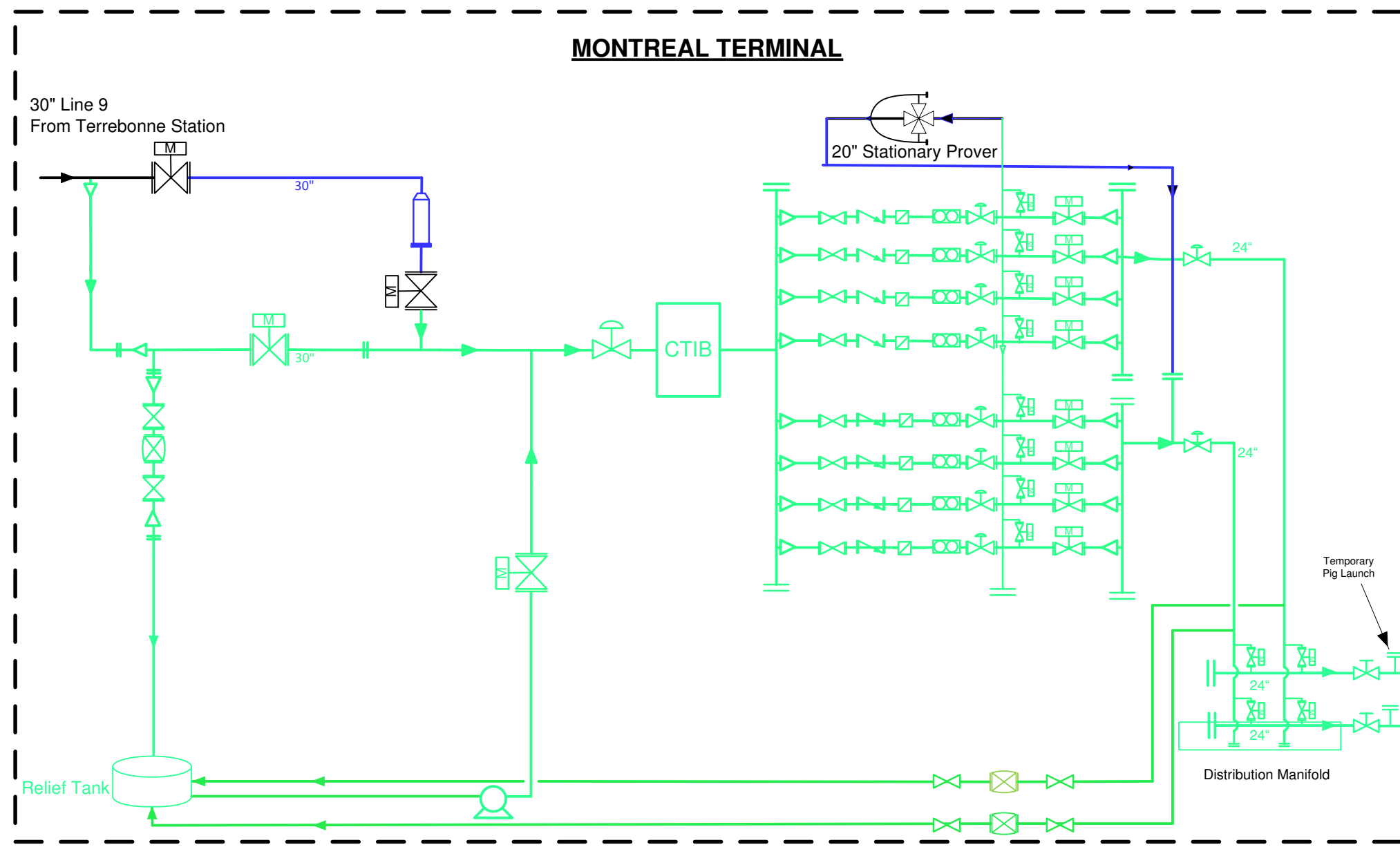
COPYRIGHT © This drawing is the property of Enbridge and shall not be reproduced either in whole or in part without prior written consent of Enbridge

Enbridge Pipelines Inc.
10201 Jasper Avenue
Edmonton Alberta Canada

Line 9B Reversal Project - DOU
Terrebonne (QC) Station – New Scope
Revision B

DRAWN	HL	CHECK	APPROVE
DATE	07/11/2012	SCALE	NTS

407032-00169-PM-DOU-0005-001



- Legend:**
- Existing
 - New Equipment
 - To be Replaced
 - - - To be Removed
-
- Force Balancing Valves
 - Custody Transfer Meters
 - Motor-Operated Slab Gate Valve
 - Check Valve
 - Pump
 - Inline Strainer
 - Ultrasonic Flow Meter
 - Electro-Hydraulic Operated Valve
 - Triple Offset Valve – With Actuator
 - Pressure Safety Valve
 - Spacer Ring
 - Pressure Transmitter
 - Booster Pump
 - Pig Trap
 - Triple Offset Valve – With Actuator
 - Automated Double Block and Bleed Valve
 - Custody Transfer Instrumentation Building
 - Manual Valve

COPYRIGHT © This drawing is the property of Enbridge and shall not be reproduced either in whole or in part without prior written consent of Enbridge

Enbridge Pipelines Inc.
 10201 Jasper Avenue
 Edmonton Alberta Canada

Line 9B Reversal Project - DOU
 Montreal Terminal – New Scope
 Revision B

DRAWN	HL	CHECK	APPROVE
DATE	07/11/2012	SCALE	NTS

407032-00169-PM-DOU-0006-001